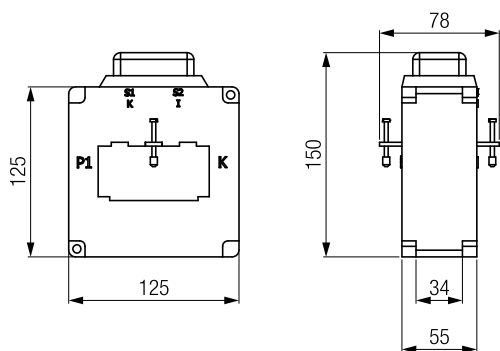


CTA 51P

TRASFORMATORI AMPEROMETRICI DI PROTEZIONE PROTECTION CURRENT TRANSFORMERS

Trasformatori amperometrici di protezione con massima precisione e alte prestazioni a fronte di dimensioni ridotte con primario a barra passante e connessione secondaria con viti M4 e faston 6,3x0,8. Fissaggio su guida DIN.

*Small size protection current transformers, high precision, high performances, primary passing bar and secondary connection with M4 screws and faston 6,3x0,8 mm.
DIN rail fixing*



| Tipo Type | Portata Range (A) | Cl. 5P3 | | Cl. 5P5 | | Cl. 5P10 | | Cl. 5P15 | | Cl. 5P20 | |
|--------------|-------------------------|---------|----------------|---------|----------------|----------|----------------|----------|----------------|----------|----------------|
| | | (VA) | Codice Code | (VA) | Codice Code | (VA) | Codice Code | (VA) | Codice Code | (VA) | Codice Code |
| CTA 51 | 600/ 1 | 20 | E24211-0600P0 | 15 | E24211-0600P1 | 7 | E24211-0600P2 | 4,5 | E24211-0600P3 | 3 | E24211-0600P4 |
| | 800/ 1 | 25 | E24211-0800P0 | 20 | E24211-0800P1 | 8 | E24211-0800P2 | 4,5 | E24211-0800P3 | 2,5 | E24211-0800P4 |
| | 1000/ 1 | 25 | E24211-1000P0 | 25 | E24211-1000P1 | 10 | E24211-1000P2 | 6 | E24211-1000P3 | 3 | E24211-1000P4 |
| | 1200/ 1 | 35 | E24211-1200P0 | 30 | E24211-1200P1 | 12 | E24211-1200P2 | 6 | E24211-1200P3 | 3 | E24211-1200P4 |
| | 1500/ 1 | 50 | E24211-1500P0 | 35 | E24211-1500P1 | 12 | E24211-1500P2 | 5 | E24211-1500P3 | - | E24211-1500P4 |
| | 1750/ 1 | 60 | E24211-1750P0 | 35 | E24211-1750P1 | 12 | E24211-1750P2 | 5 | E24211-1750P3 | - | E24211-1750P4 |
| | 2000/ 1 | 65 | E24211-2000P0 | 40 | E24211-2000P1 | 12 | E24211-2000P2 | 3 | E24211-2000P3 | - | E24211-2000P4 |
| | 2500/ 1 | 65 | E24211-2500P0 | 45 | E24211-2500P1 | 10 | E24211-2500P2 | - | E24211-2500P3 | - | E24211-2500P4 |
| | 600/ 5 | 20 | E24210-0600P0 | 15 | E24210-0600P1 | 7 | E24210-0600P2 | 4,5 | E24210-0600P3 | 3 | E24210-0600P4 |
| | 800/ 5 | 25 | E24210-0800P0 | 20 | E24210-0800P1 | 8 | E24210-0800P2 | 4,5 | E24210-0800P3 | 2,5 | E24210-0800P4 |
| | 1000/ 5 | 25 | E24210-1000P0 | 25 | E24210-1000P1 | 10 | E24210-1000P2 | 6 | E24210-1000P3 | 3 | E24210-1000P4 |
| | 1200/ 5 | 35 | E24210-1200P0 | 30 | E24210-1200P1 | 12 | E24210-1200P2 | 6 | E24210-1200P3 | 3 | E24210-1200P4 |
| | 1500/ 5 | 50 | E24210-1500P0 | 35 | E24210-1500P1 | 12 | E24210-1500P2 | 5 | E24210-1500P3 | - | E24210-1500P4 |
| | 1750/ 5 | 60 | E24210-1750P0 | 35 | E24210-1750P1 | 12 | E24210-1750P2 | 5 | E24210-1750P3 | - | E24210-1750P4 |
| | 2000/ 5 | 65 | E24210-2000P0 | 40 | E24210-2000P1 | 12 | E24210-2000P2 | 3 | E24210-2000P3 | - | E24210-2000P4 |
| | 2500/ 5 | 65 | E24210-2500P0 | 45 | E24210-2500P1 | 10 | E24210-2500P2 | - | E24210-2500P3 | - | E24210-2500P4 |

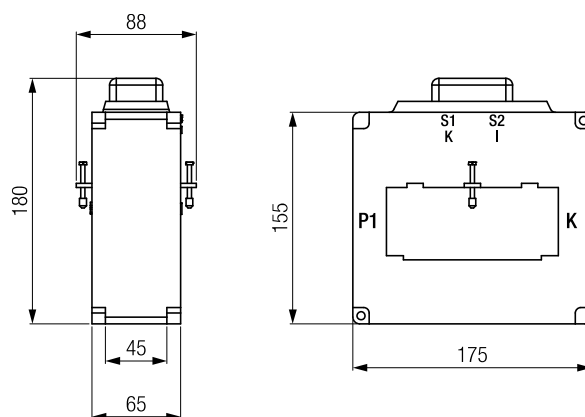
Esecuzioni speciali a richiesta / *Special executions on request*





Trasformatori amperometrici di protezione con massima precisione e alte prestazioni a fronte di dimensioni ridotte con primario a barra passante e connessione secondaria con viti M4 e faston 6,3x0,8. Fissaggio su guida DIN.

*Small size protection current transformers, high precision, high performances, primary passing bar and secondary connection with M4 screws and faston 6,3x0,8 mm.
 DIN rail fixing*



| Tipo Type | Portata Range (A) | Cl. 5P3 | | Cl. 5P5 | | Cl. 5P10 | | Cl. 5P15 | | Cl. 5P20 | |
|--------------|-------------------------|---------|----------------|---------|----------------|----------|----------------|----------|----------------|----------|----------------|
| | | (VA) | Codice Code | (VA) | Codice Code | (VA) | Codice Code | (VA) | Codice Code | (VA) | Codice Code |
| CTA 61 | 800/ 1 | 35 | E24231-0800P0 | 25 | E24231-0800P1 | 10 | E24231-0800P2 | 7 | E24231-0800P3 | 5 | E24231-0800P4 |
| | 1000/ 1 | 40 | E24231-1000P0 | 30 | E24231-1000P1 | 15 | E24231-1000P2 | 8 | E24231-1000P3 | 6 | E24231-1000P4 |
| | 1200/ 1 | 45 | E24231-1200P0 | 35 | E24231-1200P1 | 15 | E24231-1200P2 | 8 | E24231-1200P3 | 8 | E24231-1200P4 |
| | 1500/ 1 | 50 | E24231-1500P0 | 40 | E24231-1500P1 | 20 | E24231-1500P2 | 10 | E24231-1500P3 | 8 | E24231-1500P4 |
| | 1750/ 1 | 50 | E24231-1750P0 | 40 | E24231-1750P1 | 20 | E24231-1750P2 | 10 | E24231-1750P3 | 8 | E24231-1750P4 |
| | 2000/ 1 | 65 | E24231-2000P0 | 50 | E24231-2000P1 | 20 | E24231-2000P2 | 10 | E24231-2000P3 | 8 | E24231-2000P4 |
| | 2500/ 1 | 80 | E24231-2500P0 | 60 | E24231-2500P1 | 20 | E24231-2500P2 | 10 | E24231-2500P3 | 8 | E24231-2500P4 |
| | 3000/ 1 | 100 | E24231-3000P0 | 80 | E24231-3000P1 | 25 | E24231-3000P2 | 10 | E24231-3000P3 | 3 | E24231-3000P4 |
| | 4000/ 1 | 130 | E24231-4000P0 | 100 | E24231-4000P1 | 30 | E24231-4000P2 | 15 | E24231-4000P3 | 3 | E24231-4000P4 |
| | 800/ 5 | 35 | E24230-0800P0 | 25 | E24230-0800P1 | 10 | E24230-0800P2 | 7 | E24230-0800P3 | 5 | E24230-0800P4 |
| | 1000/ 5 | 40 | E24230-1000P0 | 30 | E24230-1000P1 | 15 | E24230-1000P2 | 8 | E24230-1000P3 | 6 | E24230-1000P4 |
| | 1200/ 5 | 45 | E24230-1200P0 | 35 | E24230-1200P1 | 15 | E24230-1200P2 | 8 | E24230-1200P3 | 8 | E24230-1200P4 |
| | 1500/ 5 | 50 | E24230-1500P0 | 40 | E24230-1500P1 | 20 | E24230-1500P2 | 10 | E24230-1500P3 | 8 | E24230-1500P4 |
| | 1750/ 5 | 50 | E24230-1750P0 | 40 | E24230-1750P1 | 20 | E24230-1750P2 | 10 | E24230-1750P3 | 8 | E24230-1750P4 |
| | 2000/ 5 | 65 | E24230-2000P0 | 50 | E24230-2000P1 | 20 | E24230-2000P2 | 10 | E24230-2000P3 | 8 | E24230-2000P4 |
| | 2500/ 5 | 80 | E24230-2500P0 | 60 | E24230-2500P1 | 20 | E24230-2500P2 | 10 | E24230-2500P3 | 8 | E24230-2500P4 |
| | 3000/ 5 | 100 | E24230-3000P0 | 80 | E24230-3000P1 | 25 | E24230-3000P2 | 10 | E24230-3000P3 | 3 | E24230-3000P4 |
| | 4000/ 5 | 130 | E24230-4000P0 | 100 | E24230-4000P1 | 30 | E24230-4000P2 | 15 | E24230-4000P3 | 3 | E24230-4000P4 |

Esecuzioni speciali a richiesta / *Special executions on request*

