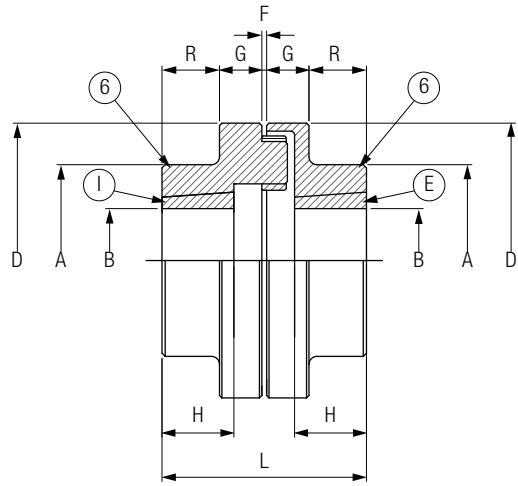


Questi giunti possono essere installati facilmente e rapidamente con il sistema di bloccaggio a bussola conica. Disponibili anche in conformità a normativa ATEX.

These couplings can be fitted easily and quickly thanks to a taper-bush clamping system. Also available in accordance with the ATEX directive.



I = BLOCCAGGIO BUSSOLA INTERNO INTERNAL BUSH CLAMP
E = BLOCCAGGIO BUSSOLA ESTERNO EXTERNAL BUSH CLAMP

| Codice Part number | Tipo Type | A | B | | D | F | G | H | L | R | 6 Semigiunto Half coupling | Fori standard Standard bores | Bussola Bush | Peso Weight |
|-----------------------|--------------|-----|--------|--------|-----|---|------|-----|------|------|----------------------------------|---|-----------------|----------------|
| | | | Ø min. | Ø max. | | | | | | | | | | Kg |
| 1008800 I+I | 8 | 60 | 9 | 28 | 85 | 2 | 20 | 20 | 72 | 15 | I - 3008800 E - 3008801 | 9-10-11-12-14-16-18-19-20-22-24-25-28 | A028020 (11.08) | 1,3 |
| 1008801 E+E | | | | | | | | | | | | | A028020 (11.08) | |
| 1008802 I+E | | | | | | | | | | | | | A030025 (12.10) | |
| 1008805 I+E | 8 | 60 | 9 | 28 | 85 | 2 | 20 | 20 | 77 | 15 | I - 3008800 | 12-14-16-18-19-20-22-24-25-28-30-32 | A028020 (11.08) | 1,6 |
| | | | | | | | | | | | | | A030025 (12.10) | |
| 1014800 I+I | 14 | 80 | 12 | 32 | 100 | 3 | 20 | 25 | 84 | 20,5 | I - 3014800 E - 3014801 | 12-14-16-18-19-20-22-24-25-28-30-32 | A030025 (12.10) | 2,3 |
| 1014801 E+E | | | | | | | | | | | | | A030025 (12.10) | |
| 1014802 I+E | | | | | | | | | | | | | A040025 (16.10) | |
| 1014815 I+E | 14 | 80 | 12 | 32 | 100 | 3 | 20 | 25 | 83,5 | 20 | I - 3014800 | 14-16-18-19-20-22-24-25-28-30-32-35-38-40-42 | A030025 (12.10) | 2,2 |
| | | | | | | | | | | | | | A040025 (16.10) | |
| 1020800 I+I | 20 | 90 | 14 | 42 | 125 | 3 | 20 | 25 | 83 | 20 | I - 3020800 E - 3020801 | 14-16-18-19-20-22-24-25-28-30-32-35-38-40-42 | A040025 (16.10) | 2,6 |
| 1020801 E+E | | | | | | | | | | | | | A040025 (16.10) | |
| 1020802 I+E | | | | | | | | | | | | | A050030 (20.12) | |
| 1020821 I+E | 20 | 100 | 14 | 42 | 125 | 4 | 20 | 25 | 89 | 20 | I - 3020800 | 14-16-18-19-20-22-24-25-28-30-32-35-38-40-42-45-48-50 | A040025 (16.10) | 3,3 |
| | | | | | | | | | | | | | A050030 (20.12) | |
| 1027800 I+I | 27 | 110 | 14 | 50 | 145 | 3 | 23 | 30 | 97 | 24 | I - 3027800 E - 3027801 | 14-16-18-19-20-22-24-25-28-30-32-35-38-40-42-45-48-50 | A050030 (20.12) | 4,8 |
| 1027801 E+E | | | | | | | | | | | | | A050030 (20.12) | |
| 1027802 I+E | | | | | | | | | | | | | A065045 (25.17) | |
| 1027827 I+E | 27 | 110 | 14 | 50 | 145 | 4 | 23 | 30 | 114 | 24 | I - 3027800 | 16-18-19-20-22-24-25-28-30-32-35-38-40-42-45-48-50-55-60-65 | A050030 (20.12) | 5,6 |
| | | | | | | | | | | | | | A065045 (25.17) | |
| 1040800 I+I | 40 | 120 | 16 | 65 | 172 | 3 | 26,5 | 45 | 128 | 36 | I - 3040800 E - 3040801 | 16-18-19-20-22-24-25-28-30-32-35-38-40-42-45-48-50-55-60-65 | A065045 (25.17) | 8,2 |
| 1040801 E+E | | | | | | | | | | | | | A065045 (25.17) | |
| 1040802 I+E | | | | | | | | | | | | | A065045 (25.17) | |
| 1055800 I+I | 55 | 120 | 16 | 65 | 196 | 3 | 27,5 | 45 | 126 | 34 | I - 3055800 E - 3055801 | 16-18-19-20-22-24-25-28-30-32-35-38-40-42-45-48-50-55-60-65 | A065045 (25.17) | 9,5 |
| 1055801 E+E | | | | | | | | | | | | | A065045 (25.17) | |
| 1055802 I+E | | | | | | | | | | | | | A065045 (25.17) | |
| 1088800 I+I | 88 | 150 | 25 | 75 | 221 | 3 | 25 | 50 | 136 | 41,5 | I - 3088800 E - 3088801 | 25-28-30-32-35-38-40-42-45-48-50-55-60-65-70-75 | A075050 (30.20) | 11,9 |
| 1088801 E+E | | | | | | | | | | | | | A075050 (30.20) | |
| 1088802 I+E | | | | | | | | | | | | | A075050 (30.20) | |
| 1110800 I+I | 110 | 150 | 25 | 75 | 249 | 3 | 30 | 50 | 139 | 38 | I - 3110800 E - 3110801 | 30-32-35-38-40-42-45-48-50-55-60-65-70-75 | A090090 (35.35) | 16,4 |
| 1110801 E+E | | | | | | | | | | | | | A090090 (35.35) | |
| 1110802 I+E | | | | | | | | | | | | | A090090 (35.35) | |
| 1145800 I+I | 145 | 180 | 30 | 90 | 273 | 3 | 30 | 90 | 216 | 76,5 | I - 3145800 E - 3145801 | 30-32-35-38-40-42-45-48-50-55-60-65-70-75-80-85-90 | A090090 (35.35) | 28,6 |
| 1145801 E+E | | | | | | | | | | | | | A090090 (35.35) | |
| 1145802 I+E | | | | | | | | | | | | | A090090 (35.35) | |
| 1180800 I+I | 180 | 180 | 30 | 90 | 300 | 3 | 32 | 90 | 217 | 75 | I - 3180800 E - 3180801 | 30-32-35-38-40-42-45-48-50-55-60-65-70-75-80-85-90 | A090090 (35.35) | 32 |
| 1180801 E+E | | | | | | | | | | | | | A090090 (35.35) | |
| 1180802 I+E | | | | | | | | | | | | | A090090 (35.35) | |
| 1250800 I+I | 250 | 215 | 40 | 100 | 311 | 5 | 37 | 100 | 251 | 86 | I - 3250800 E - 3250801 | 40-42-45-48-50-55-60-65-70-75-80-85-90-95-100 | A100100 (40.40) | 46,8 |
| 1250801 E+E | | | | | | | | | | | | | A100100 (40.40) | |
| 1250802 I+E | | | | | | | | | | | | | A100100 (40.40) | |
| 1330800 I+I | 330 | 215 | 40 | 100 | 350 | 5 | 37 | 100 | 247 | 84 | I - 3330800 E - 3330801 | 40-42-45-48-50-55-60-65-70-75-80-85-90-95-100 | A100100 (40.40) | 55 |
| 1330801 E+E | | | | | | | | | | | | | A100100 (40.40) | |
| 1330802 I+E | | | | | | | | | | | | | A100100 (40.40) | |